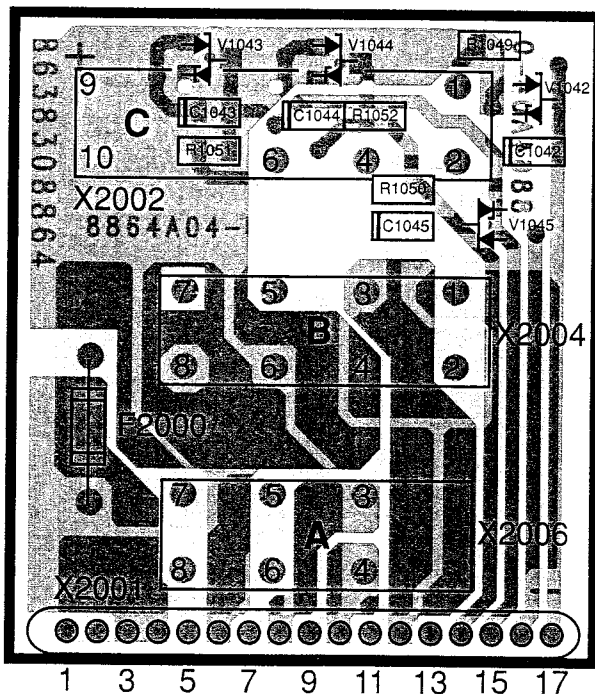


**Schaltbild • Circuit diagram • Schema du poste • Esquema del aparato**

**Kontakt-Platte**  
**Connector board**  
**PL 8864 A04**  
**+Chip**



X2002 (C)	
1 = SDA	
2 = SLL	
3 = NC	
4 = MRQ	
5 = NC	
6 = DIAG.	
7 = NC	
8 = NC	
9 = NC	
10 = NC	



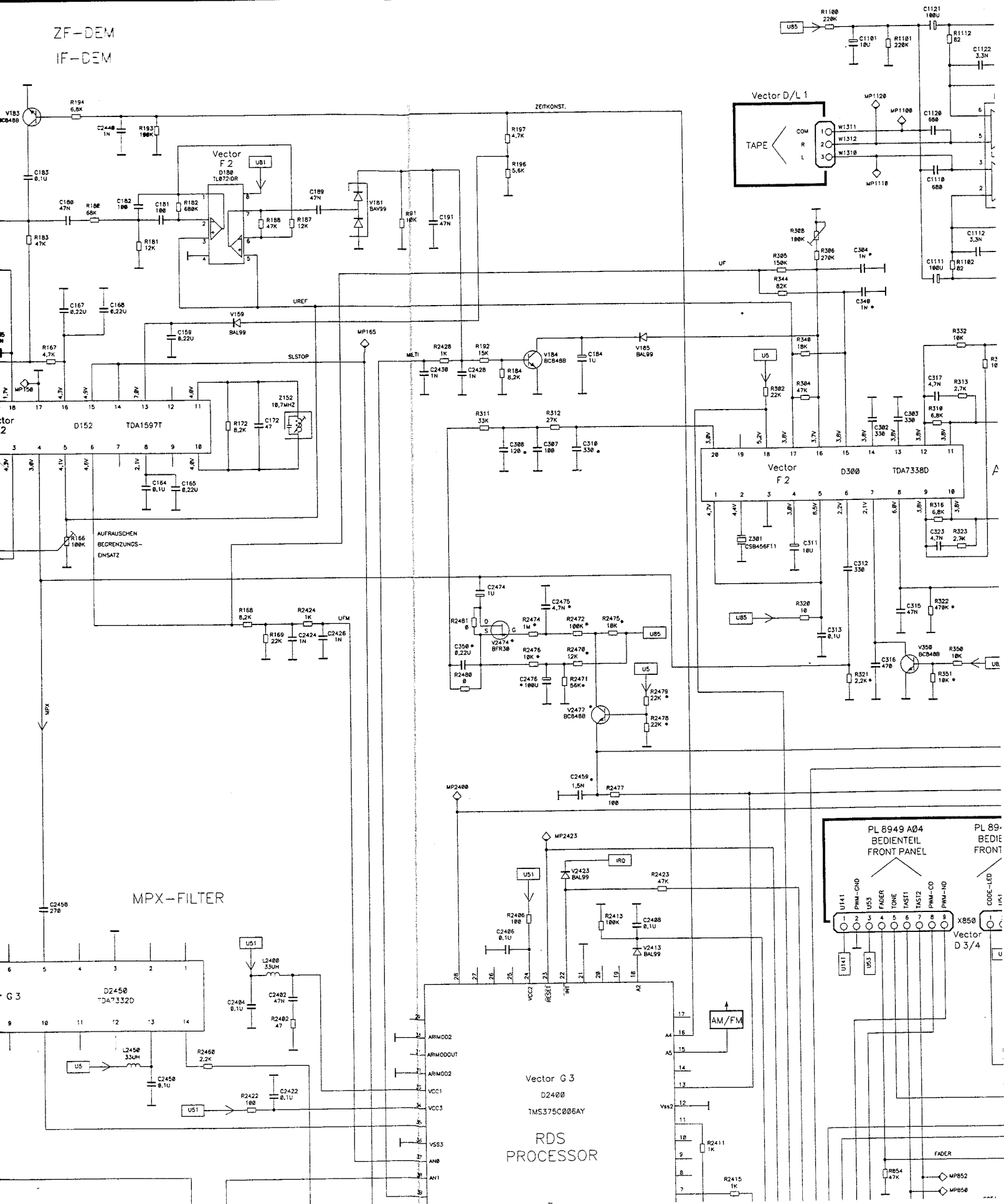
X2001	
1 = GND-VERS	
2 = GND-VERS	
3 = KL 30	
4 = KL 30	
5 = ANT	
6 = GND-LAUT	
7 = ILL.	
8 = TEL	
9 = RL	
10 = IGN	
11 = FL	
12 = FR	
13 = RR	
14 = MRQ	
15 = DIAG.	
16 = SCL	
17 = SDA	

X2004 (B)	
1 = RR	
2 = NF-GND	
3 = FR	
4 = NF-GND	
5 = FL	
6 = NF-GND	
7 = RL	
8 = NF-GND	

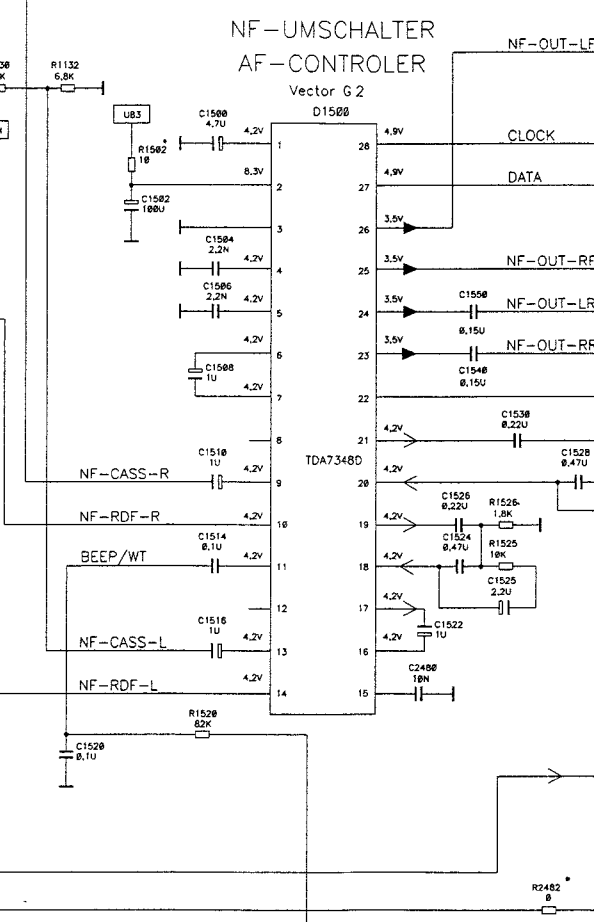
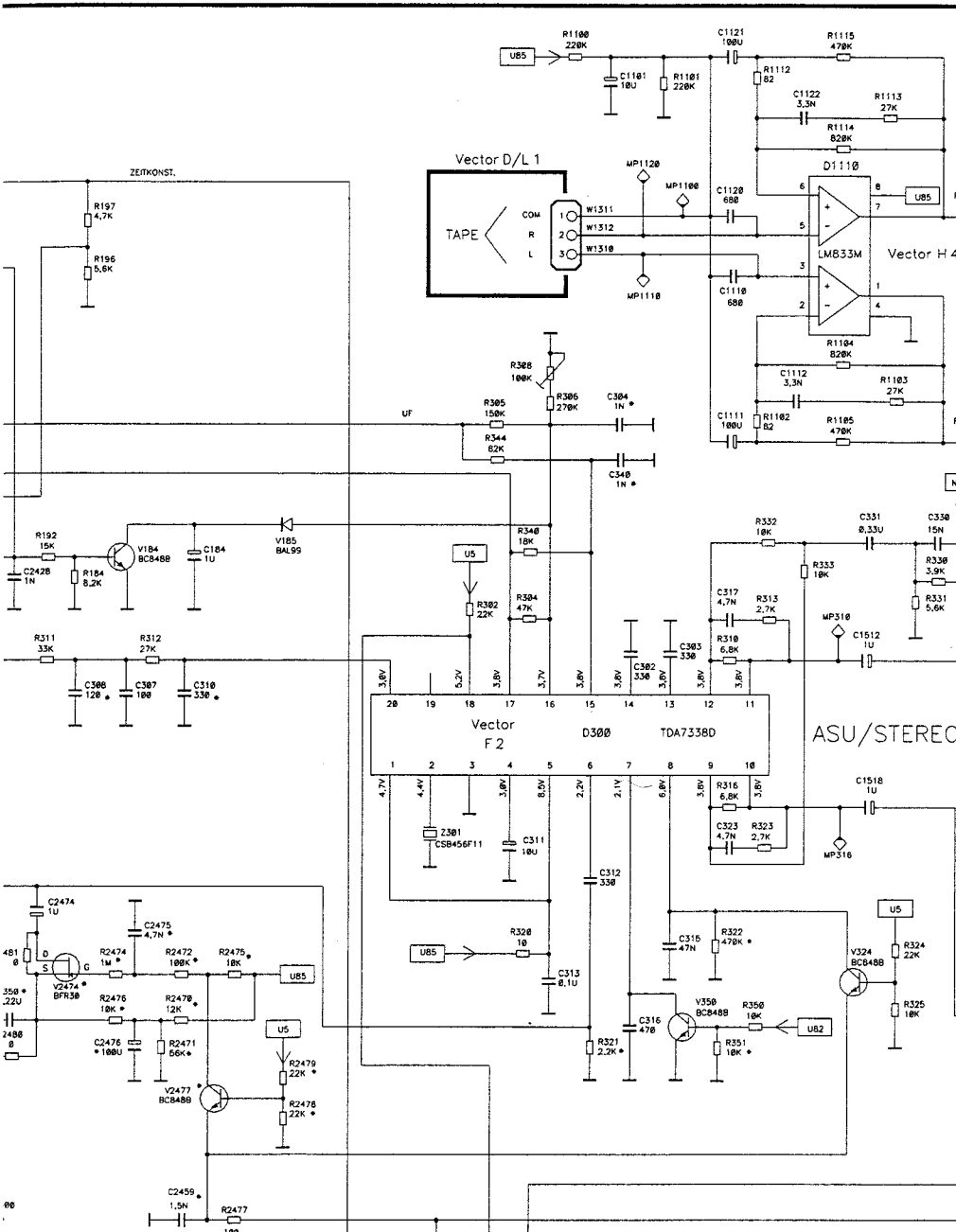
X2006 (A)	
3 = TEL	
4 = IGN	
5 = ANT	
6 = ILL	
7 = KL30	
8 = GND	

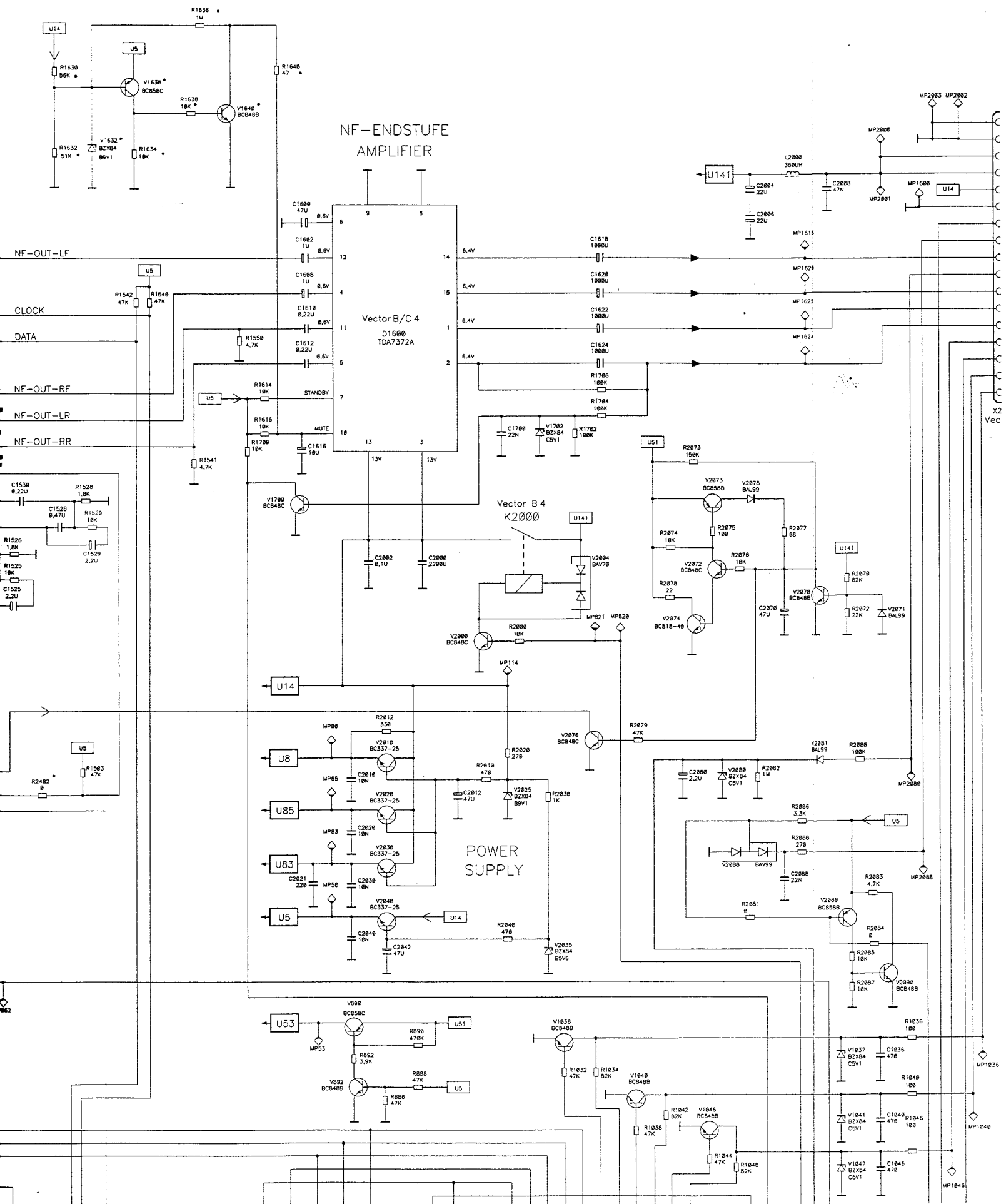


ZF-DEM  
IF-DEM

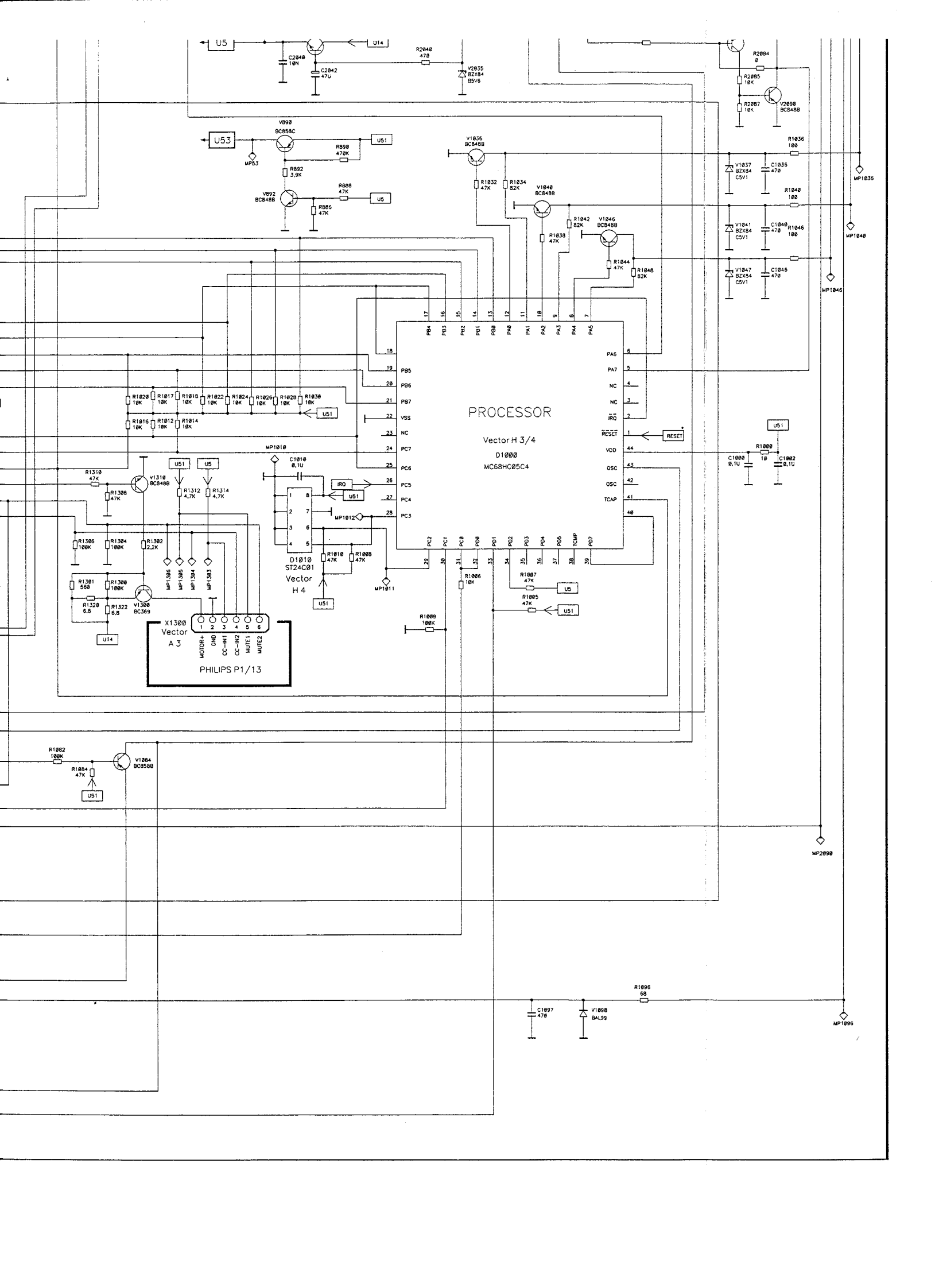


# TONBAND VORVERSTÄRKER TAPE-PREAMPLIFIER









PROCESSOR

Vector H 3/4  
D1000  
MC68HC05C4

PHILIPS P1/13

X1300  
Vector  
A3

MOTOR+  
GND  
CC-IN1  
CC-IN2  
MUTE1  
MUTE2

RESET  
VDD  
OSC  
OSC  
TCAP

PB4  
PB3  
PB2  
PB1  
PB0  
PA7  
PA6  
PA5  
PA4  
PA3  
PA2  
PA1  
PA0  
PC7  
PC6  
PC5  
PC4  
PC3  
PD7  
PD6  
PD5  
PD4  
PD3  
PD2  
PD1  
PD0

R1820  
R1817  
R1815  
R1822  
R1824  
R1826  
R1828  
R1836  
R1816  
R1812  
R1814

R1318  
R1308  
R1312  
R1314  
R1306  
R1304  
R1302  
R1301  
R1300  
R1320  
R1322

V1319  
V1308  
V1309  
V1304  
V1303  
V1302  
V1301  
V1300

MP1018  
MP1012  
MP1011

D1010  
ST24C01

R1800  
R1809  
R1808  
R1807  
R1805

R1882  
R1884  
V1884

R1896  
C1897  
V1898

R2084  
R2085  
R2087  
V2099  
R1836  
V1837  
R1840  
V1841  
R1846  
V1847

R1832  
R1834  
V1848  
R1842  
R1838  
R1844  
R1848

R2084  
R2085  
R2087  
V2099  
R1836  
V1837  
R1840  
V1841  
R1846  
V1847

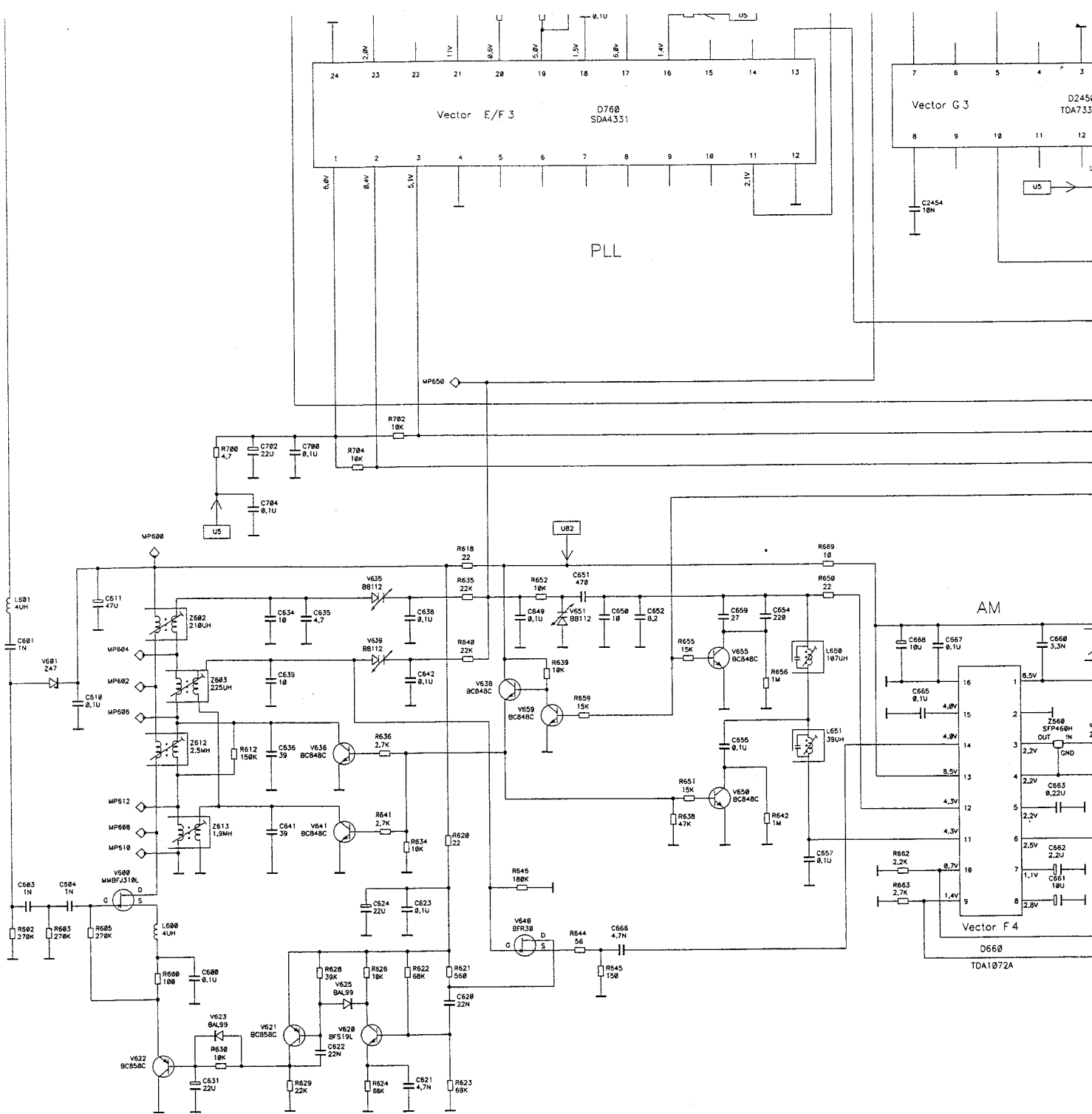
R2084  
R2085  
R2087  
V2099  
R1836  
V1837  
R1840  
V1841  
R1846  
V1847

R2084  
R2085  
R2087  
V2099  
R1836  
V1837  
R1840  
V1841  
R1846  
V1847

R2084  
R2085  
R2087  
V2099  
R1836  
V1837  
R1840  
V1841  
R1846  
V1847

R2084  
R2085  
R2087  
V2099  
R1836  
V1837  
R1840  
V1841  
R1846  
V1847

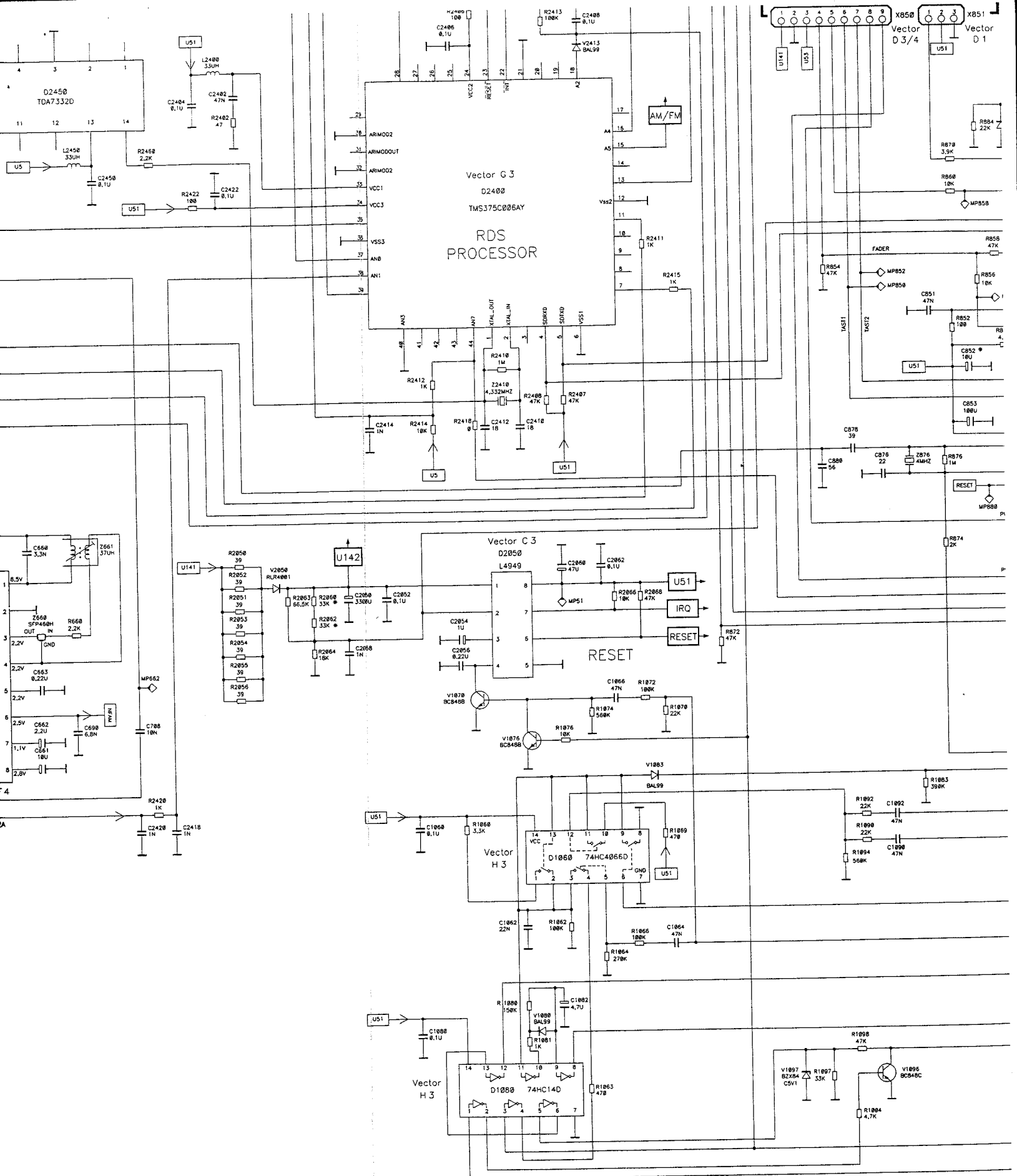
R2084  
R2085  
R2087  
V2099  
R1836  
V1837  
R1840  
V1841  
R1846  
V1847



WIRD NICHT BESTUECKT = \*

PL 8705 A3





**A**

X1300	
1	= MOTOR+
2	= GND
3	= CC-IN1
4	= CC-IN2
5	= MUTE1
6	= MUTE2

**B**

X2000	
1	= GND-VERS
2	= GND-VERS
3	= KL 30
4	= KL 30
5	= ANT
6	= GND-LAUT
7	= ILL.
8	= TEL
9	= RL
10	= IGN
11	= FL
12	= FR
13	= RR
14	= MRQ
15	= DIAG.
16	= SCL
17	= SDA

**C**

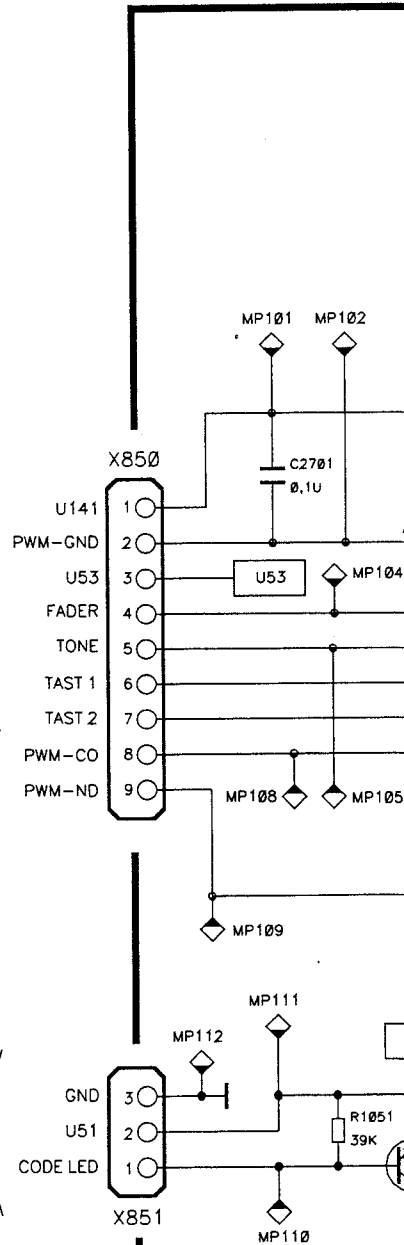
X860	
1	= GND
2	= BAL
3	= U53
4	= VOL
5	= TASTER
6	= U51

**D**

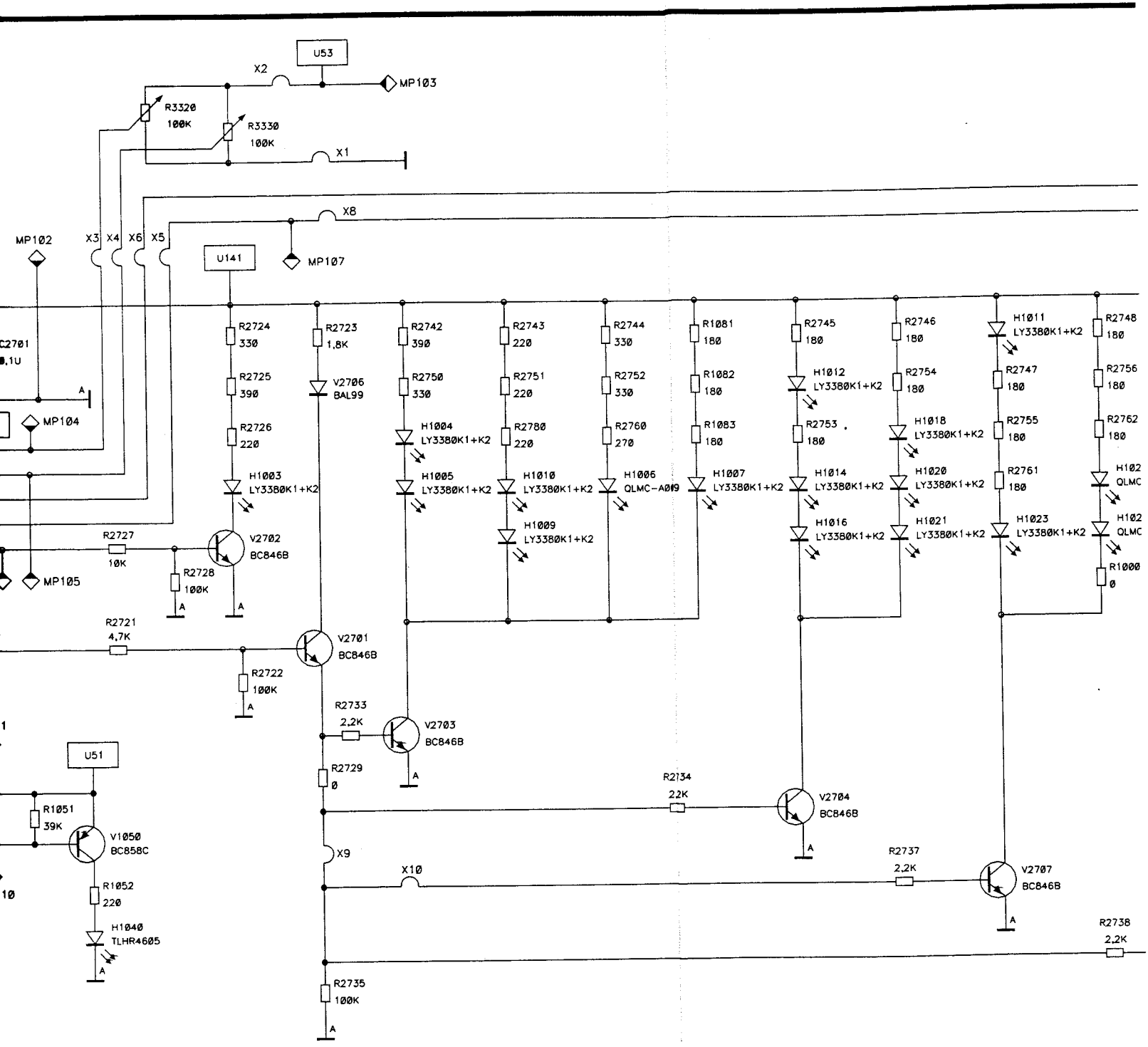
X850	
1	= U141
2	= PWM-GND
3	= U53
4	= FADER
5	= TONE
6	= TAST1
7	= TAST2
8	= PWM-CO
9	= PWM-ND

X850  
HAUPTPLATTE  
MAIN BOARD

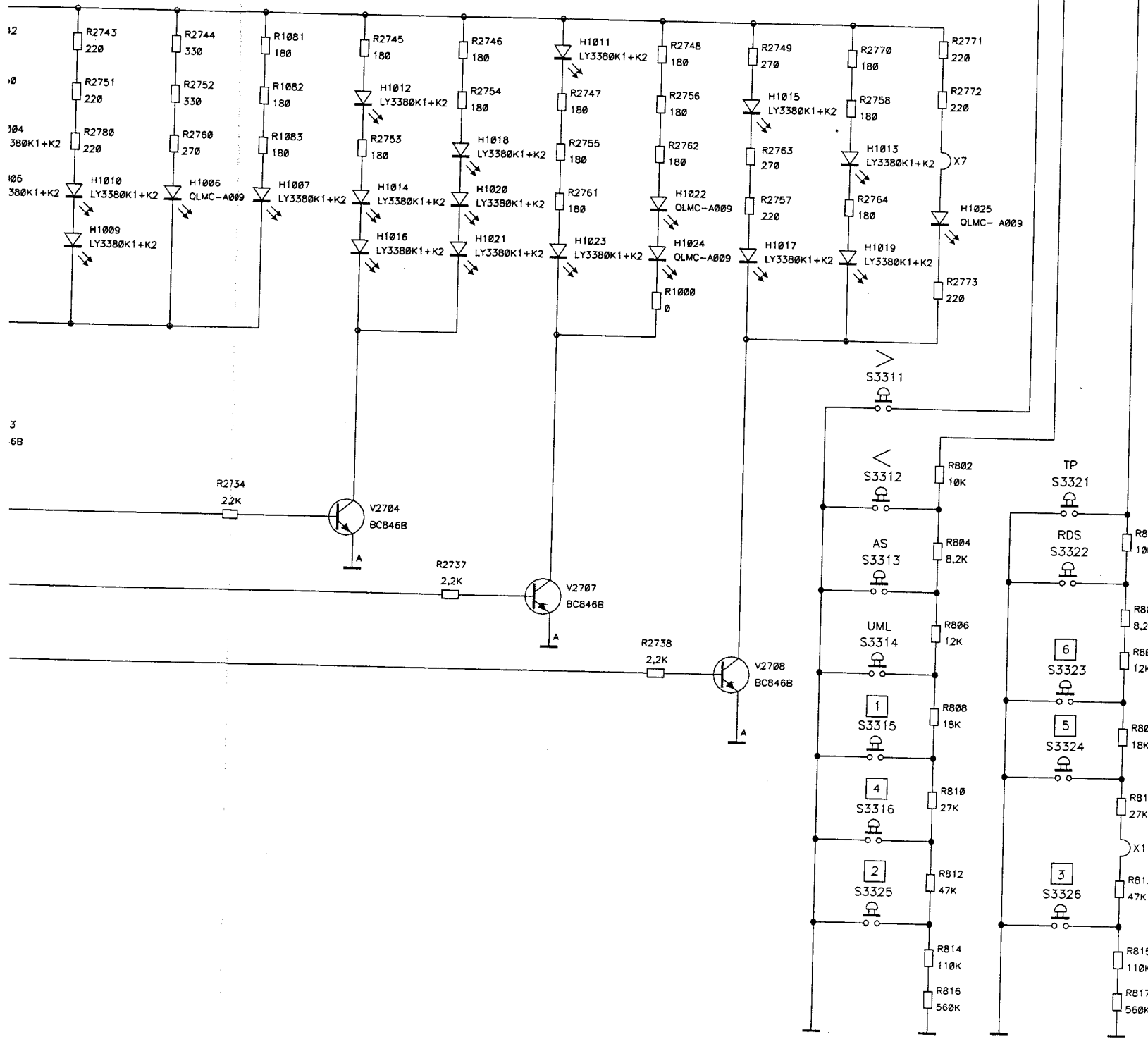
X851  
HAUPTPLATTE  
MAIN BOARD

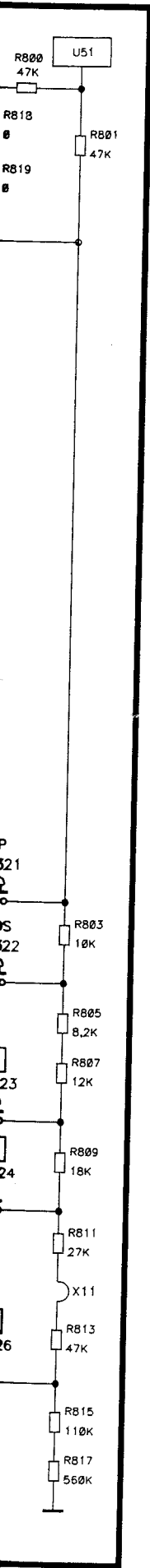


PL 8949

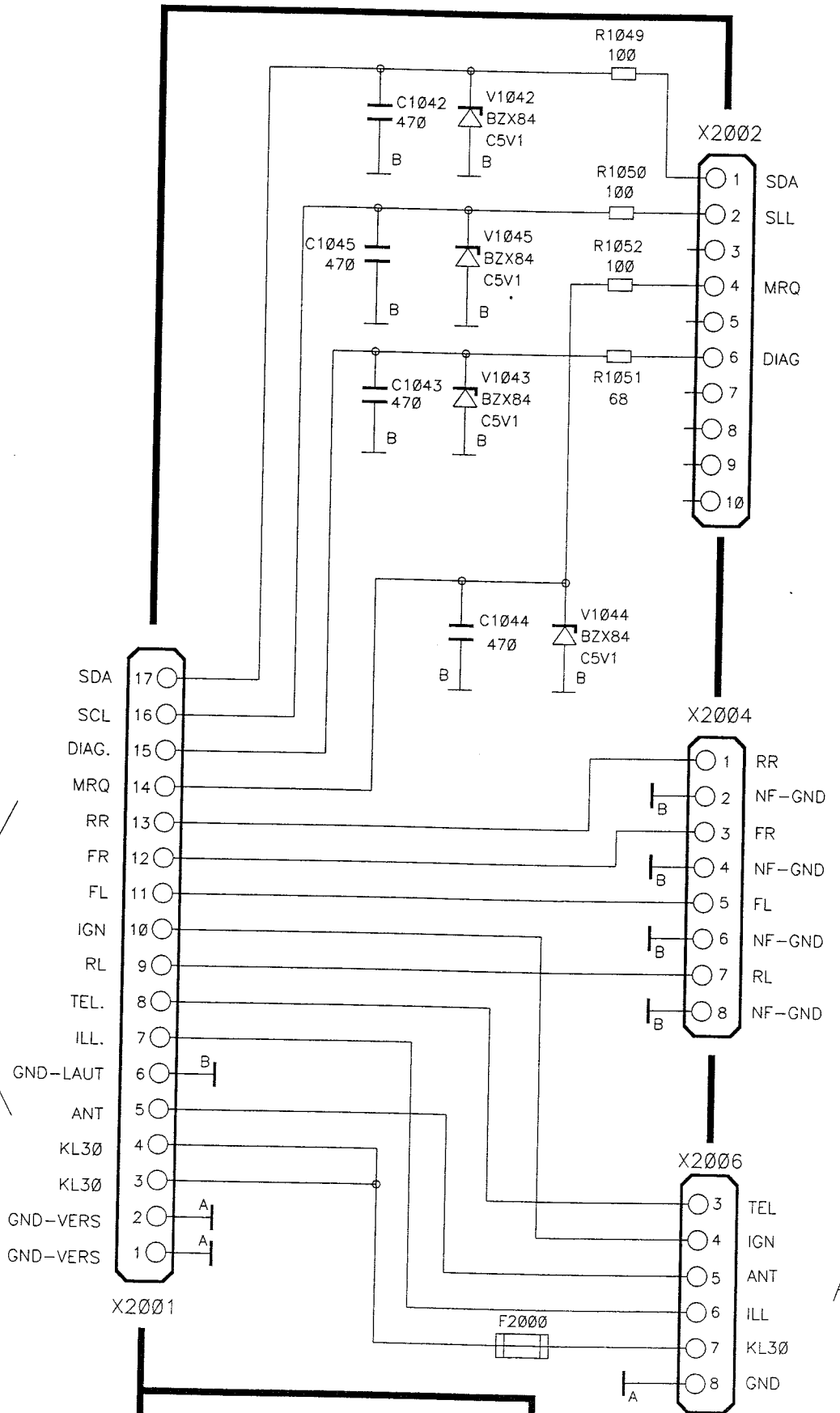


3949 A4





X2000  
HAUPTPLATTE  
MAIN BOARD



PL 8864 A4